

TECHNICAL MANUAL



revo
Job

- Type: industrial vacuum cleaner
- Model: Revo Block Professional
- Revision 1.0.0

INDEX

	GENERAL INFORMATION	4
1	HOW TO USE THE MANUAL	4
2	DESCRIPTION OF THE CENTRAL VACUUM CLEANER	4
	2.1 Distinctive product features	5
3	TECHNICAL FEATURES	6
4	SAFETY FEATURES	8
	4.1 IP protection degree	8
	4.2 Electric insulation degree	8
	4.3 Declaration of absence of dangerous substances	9
	4.4 Fixed closure safety guards	9
	4.5 Movable closure safety guards	9
	4.6 Identification plate	9
5	CORRECT USE OF THE VACUUM CLEANER	10
6	INCORRECT USE OF THE VACUUM CLEANER	10
7	EQUIPMENT AND ACCESSORIES	11
8	INSTALLATION	12
	8.1 Recommended Installation	12
	8.2 Positioning of the vacuum cleaner	12
	8.3 Fixing the vacuum cleaner	12
	8.4 Connection to the piping network	13
	8.5 Transforming DX version (outlet pipes fitted on the right) into SX version (outlet pipes fitted on the left)	14
9	PUT INTO SERVICE OF THE VACUUM CLEANER	15
	9.1 Workspace	15
	9.2 Electric connection (see Appendix A)	15
	9.3 Protection of the power supply and of REVO Job 4 vacuum unit circuits	16
	9.4 Testing the correct motor spin direction for the model REVO Job 2.2 and REVO Job 3	16
10	HOW TO USE THE VACUUM CLEANER	17
	10.1 Switching the vacuum cleaner on	17
	10.2 Using the vacuum cleaner	18

- Type: industrial vacuum cleaner
- Model: Revo Block Professional
- Revision 1.0.0

INDEX

11 MAINTENANCE	18
11.1 Programmed routine maintenance	18
11.2 Emptying the dust bin	19
11.3 Replacing the filter cartridge	20
11.4 Regeneration of the filter cartridge	21
11.5 Cleaning of the external body	21
11.6 Cleaning the vacuum cleaner body (cylinder)	21
12 REPAIRS AND SPARE PARTS	22
12.1 Intervention criteria	22
12.2 Recommended spare parts	22
12.3 Putting the vacuum cleaner out of service (general rules)	22
13 SOUND EMISSION	23
14 IDEAL LOCATION OF THE VACUUM CLEANER TO REDUCE SOUND EMISSION	23
15 VIBRATIONS	23
16 TROUBLESHOOTING	24
APPENDIX A – ELECTRICAL CONNECTION OF REVO JOB LINE	25
A.1 REVO Job 2.2	25
A.2 REVO Job 3	26
A.3 REVO Job 4	27

- Type: industrial vacuum cleaner
- Model: Revo Block Professional
- Revision 1.0.0

INTRODUCTION

Dear Customer,

TECNOPLUS S.r.l., owner of the SISTEM AIR Trademark would first of all like to thank you for having chosen to buy the new vacuum cleaner of the Revo Job professional line. We are sure that the characteristics described in this manual will satisfy your needs.

Revo Job line has been designed and produced in strict compliance with the Machinery Directive 2006/42/CE (transposed into Italian Legislation by Decree Law 17/10), Low Tension Directive 2006/95/ CE, and Electromagnetic Compatibility Directive 2004/108/CE. The system has been manufactured with top quality materials and with particular care paid to reducing as much as possible the risk of injury.

We have therefore written this manual in order to provide adequate instructions for the correct use and maintenance of the system which are crucial to ensure the user's safety, the correct functioning and the long working life of the vacuum cleaning unit.

Read the entire manual carefully, follow the instructions precisely, and above all, for safety reasons, do not intervene in any way if not specifically indicated.

For the best results, we suggest to use SISTEM AIR original accessories and materials. The SISTEM AIR Trademark is a registered trademark and is property of TECNOPLUS S.r.l.

GENERAL INFORMATION

1. HOW TO USE THE MANUAL

The instruction manual has been written by the manufacturer and is an integral part of the vacuum cleaner. If the system is resold, given or hired out to others, the manual must be handed over to the new user or owner.

We recommend using and storing it carefully for the entire working life of the vacuum cleaner.

This manual explains how to use the equipment correctly in order to obtain the best performance while maintaining optimal working and safety conditions.

It is strictly forbidden to reproduce, copy or disclose any part of this document by any means without prior written consent of TECNOPLUS s.r.l. which is the owner of the SISTEM AIR Trademark. TECNOPLUS s.r.l. reserves the right to upgrade or modify this manual or the vacuum cleaner itself at anytime without giving any prior notice to third parties.

2. DESCRIPTION OF THE CENTRAL VACUUM CLEANER

Constant research applied to central vacuum cleaners and advanced electronic technology have allowed TECNOPLUS S.r.l. to create REVO Job.

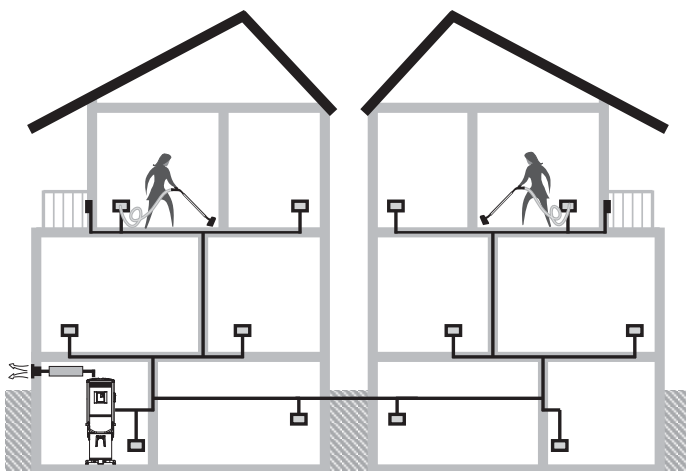
The central vacuum cleaner, suitable for any type of residential building (private houses, offices, hotels, service sector), consists of a network of PVC trace pipes, housed in walls or in false ceilings running through the various rooms; at the end of the pipes are positioned the suction sockets.

The SISTEM AIR vacuum cleaner is usually placed in a utility room, garage or other storeroom and connected to the suction pipes network.

The system is switched on by inserting the sleeve coupling of the flexible vacuum cleaning hose in any of the suction sockets.




If the piping network doesn't feature any electrical power supply, the system can be switched on and off by means of a remote control device (optional accessory).

The REVO Job vacuum cleaner features innovative characteristics which make it more suitable for professional applications (small hotels, offices, sports centers, beauty shops) with reduced encumbrance.



Main features of the Revo Block Professional unit:

- Opportunity of contemporary use by three operators depending on the models (see table below).

MODEL	USERS	Ø PIPE NETWORK
REVO Job 2.2		50 mm
REVO Job 3		63 mm
REVO Job 4		80 mm

2.1 DISTINCTIVE PRODUCT FEATURES

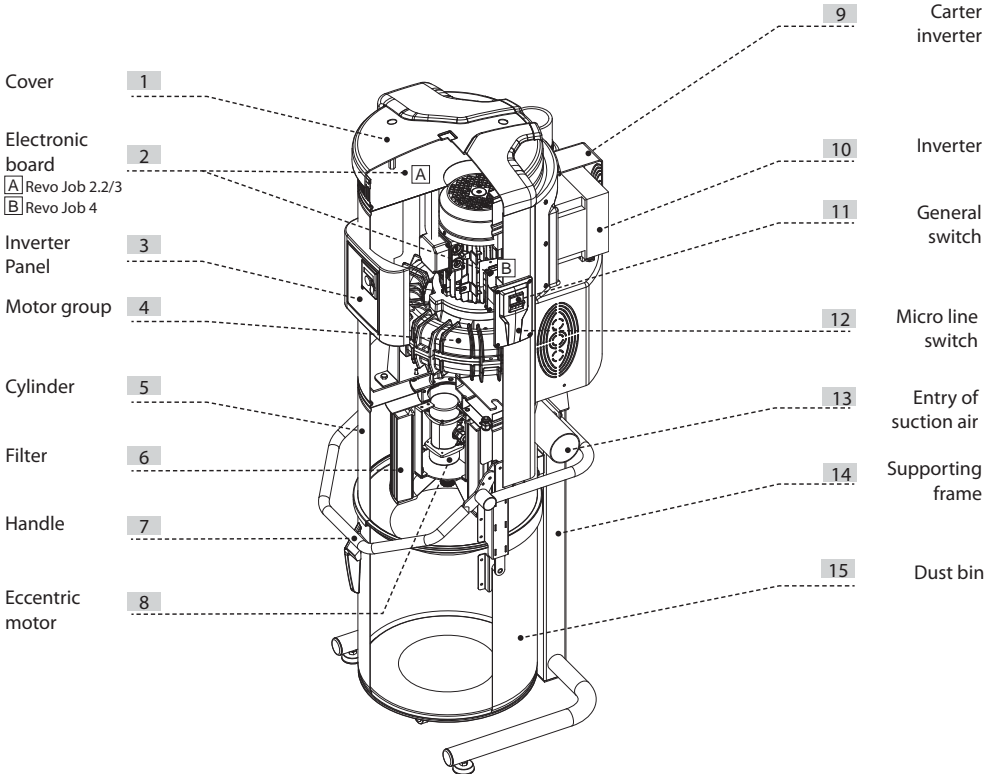
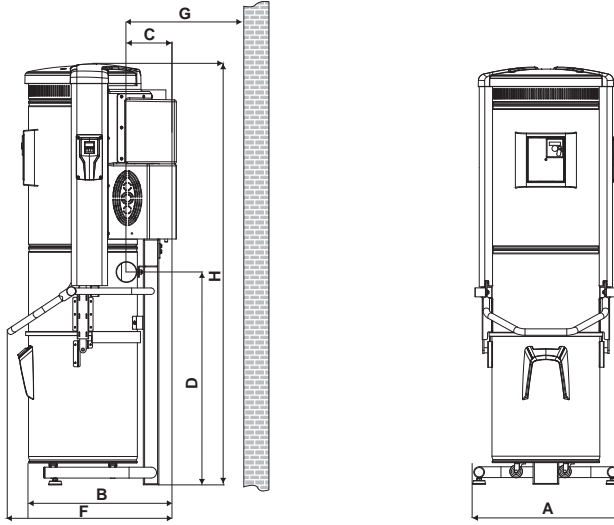
The vacuum cleaners of REVO Job line are equipped with motor group with side-channel, whose intervention modality is automatically regulated by the frequency converter (REVO Job 4 model), according to the number of users.

The vacuum cleaners of REVO Job line was designed and manufactured according to the criteria indicated in the regulations and in the European directives in force, but without leaving out some fundamental elements like performance, power and operating capacity.

The main technical features are the following ones:

- Cylindrical body made of metal coated with epoxy powder;
- Metal bin for dust collection (62/106 litres capacity) equipped with wheels for handling;
- Dust bag and bag-stretcher for dust collection, to ensure quick and healthy disposal operations of the material collected;
- Hooking and release of the dust bin handle, which reduces the effort to open it;
- Possibility to connect pipes both on the left and on the right;
- Motor group pump with side channel;
- Vacuum breaker valve to ensure the motor is not operating in critical conditions;
- Electronic converter (inverter) to reduce electrical absorption (Revo Job 4 model);
- Suction sockets supplied with 12 V dc voltage;
- Polyester filter cartridge with M-class certificate, washable in water (filtering surface: 17000 cm²);
- Metallic protection of the filter to prevent accidental breaks.
- Provision for the connection to an auxiliary alert remote signal of maintenance (Revo Job 4 model)
- Suction of electrostatic material after the construction of the metal pipe network connected to the ground.
- Electrical supply 400Vac three-phase
- Isolation class 1
- Automatic system for the vibration filter cleaning, only for REVO Job 4 and REVO Job 3 models.

3 - TECHNICAL



Model Article		REVO Job 2.2	REVO Job 3	REVO Job 4
		3201.1J	3201.2J	3201.3J
Frequency convertor (inverter)		NO	NO	YES
Automatic cleaning of the filter		NO	YES	YES
Vacuum inlet	Ø mm	80	80	80
Air discharge	Ø mm	80	80	80
Protection degree	IP	20	20	20
Supply	V ac	400	400	400
Frequency	Hz	50/60	50/60	50/60
Motor power	kW	2,2	3	4
Absorption	A	4,6*	6,3*	8,1*
Vacuum inlets supply	V dc	12	12	12
Speed electronic converter		NO	NO	YES
Maximum air flow	m ³ /h	304*	414*	570*
Filtering surface	cm ²	17000	17800	17800
Dust bin capacity	l	70	70	70
Air discharge		YES	YES	YES
Air discharge silencer		YES	YES	YES
Recommended number of users		1	2	3
Weight	kg	95	100	105
Measurement A	mm	570	570	570
Measurement B	mm	560	560	560
Measurement C	mm	178	178	178
Measurement D	mm	821	821	821
Measurement F	mm	630	630	630
Measurement G	mm	500	500	500
Measurement H		1625	1625	1625
Motor noise	dB(A)	60÷80		

*With a 50 Hz supply frequency

N.B.: Nominal noise values. Values may vary according to environment and manner in which the unit is installed.

4 - SAFETY FEATURES

It is recommended to read carefully all the installation, use and maintenance instructions detailed in this manual.

Furthermore, the following WARNINGS should always be observed:

- Never use the machine for improper purposes;
- Keep children away from the vacuum cleaner when functioning. Children should not play with the machine nor with the suction sockets;
- This device should not be used by persons (including children) with reduced psychic, sensory or mental capacities or by persons with no experience or knowledge of the system, unless under the guidance or instructed to use the machine by persons responsible for their safety;
- Immediately disconnect from power supply if:
 - the electric cable is damaged or worn;
 - the vacuum cleaner has been exposed to rain or excessive humidity;
 - the vacuum cleaner has been knocked or the outer body has been in any way damaged;
 - you think the system requires maintenance or repair;
- Wear protective gloves and mask to carry out maintenance, to empty the dust bin or replace and clean the filter;
- Only use original spare parts and accessories;
- Do not suction clean fabrics, heavy materials, ashes or hot embers;
- Never suction clean liquids;
- **Do not use the system without a filter cartridge;**
- Do not block the exhaust air pipes or the motor cooling intakes;
- No part of the body should come into contact with the suction accessories;
- Do not leave the system switched on when not using it and disconnect it from power supply when the system is not to be used for a long period of time;
- Do not suction clean building materials (concrete, lime wastes, plaster dust, etc.) once the installation is completed. This will quickly clog the filter cartridge.
- **Do not vacuum any material which may cause electrostatic charges in the piping system, if not previously communicated to the constructor.**

Finally, remind that pictograms or danger and warning signals can be found on those parts of the equipment where, if not strictly followed, potential risky situations may occur.

WARNING: TECNOPLUS S.R.L. declines any form of responsibility or guarantee if the purchaser, or anyone in his stead, makes even the slightest modification or adjustment to the purchased product. All materials and components used to manufacture this product comply with CE safety regulations. All relevant certifications are held at TECNOPLUS S.R.L. headquarters.

4.1 IP Protection Degree

IP 20: The appliance features a protection against solid objects having a size exceeding 12 mm. The appliance is not protected against water penetration.



4.2 Electric insulation degree

CLASS I: the appliance features basic electrical insulation.

It must be connected to the grounding circuit through the main electric wiring.



4.3 Declaration of absence of dangerous substances

TECNOPLUS S.r.l. declares that its products and appliances have been manufactured with materials which comply with the restrictions established by the health and environment protection regulations in force and do not contain SVHC-classified substances (Substance of Very High Concern) in compliance with CE regulation 1907/2006 (REACH: i.e. Registration, Evaluation, Authorization and Restriction of Chemical Substances). Although these substances have not been used during the processing cycles of raw materials and during the manufacturing cycles of our products, their presence in p.p.m. (parts per million) cannot be completely excluded due to micro-pollution of raw materials.

4.4 Fixed closure guards safety

The access to the electric parts is protected by a cover which can only be removed by unscrewing the Torsen screws used to fix the soundproofing dome of the housing where the suction motors are assembled.

Every intervention on the control board and on the motors must be carried out by qualified personnel only after disconnecting the electrical power supply and by removing the electric plug from the electric socket.

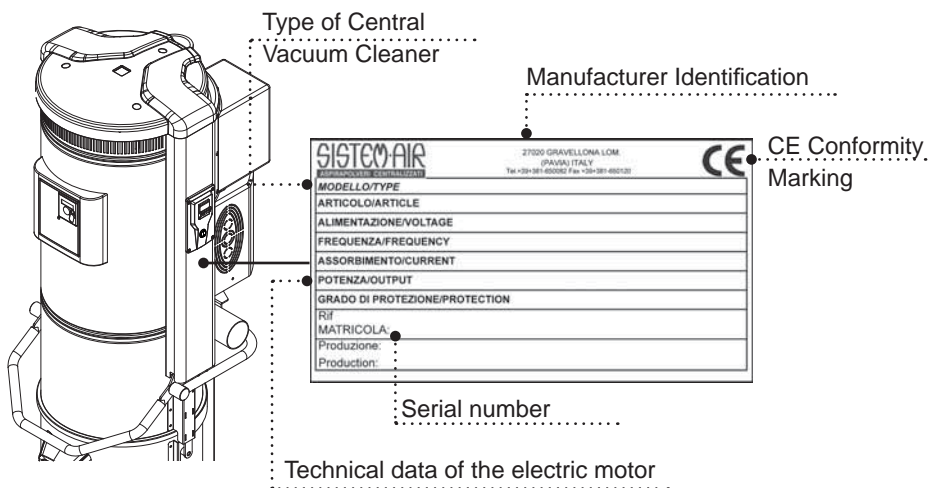
4.5 Movable closure guards safety

There are no movable closure guards assembled on the appliance. Every guard assembled is considered a fixed guard and is fastened with special screws.

TECNOPLUS s.r.l. will immediately suspend the product guarantee in case of machine tampering carried out by the Customer.

4.6 Identification plate

The CE identification plate is assembled on the side of the connection to the pipe network. This should not be removed or damaged.



5 - CORRECT USE OF THE VACUUM CLEANER

The Revo Block Professional vacuum cleaner has been designed exclusively to vacuum clean dust, very small-size solids and dry materials.

The use of the central vacuum cleaner is authorized for household and civil uses, and connected to a wall traced pipe network and to a standard home electrical wiring.

The vacuum cleaner can be installed either in big domestic dwellings or in buildings with extended surface of the tertiary sector or requiring a continual and hard use presenting the following features:

- Maximum recommended surface to be cleaned 2000 m².
- The system can be used simultaneously by 3 operators, according to the type of model chosen.
- Piping network set up with suitable pipes in order to manage the number of users required.
- Air exhaust conveyed to the outside
- 400Vac three-phase neutral supply, depending on the model chosen.

6 - INCORRECT USE OF THE VACUUM CLEANER

It is extremely important NOT to use the system in the following circumstances which are considered to be inappropriate and dangerous:

- The system must not be used to vacuum clean fabrics, heavy or hot/burning materials.
- The system must not be used to vacuum clean liquids.

Furthermore the system has not been designed for use in environments with risk of explosion, and therefore:

- It is forbidden to suction clean materials with high explosion risk (gunpowder) or materials which are individually inert but that, once collected and mixed in the dust bin, could provoke dangerous chemical reactions.
- It is absolutely forbidden to use the vacuum cleaner in explosive atmosphere or outside the standard temperature, pressure and humidity levels.
- **Do not vacuum any material which may cause electrostatic charges in the piping system, if not previously communicated to the constructor.**

Any use of the appliance other than those specified above is forbidden.

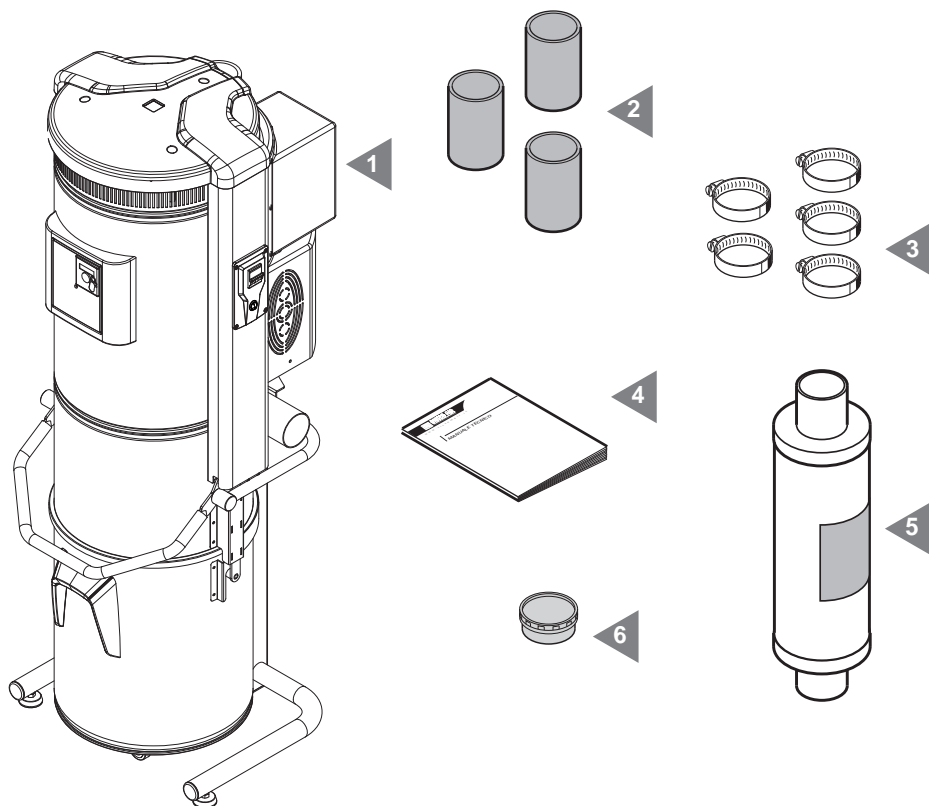
Any change or modification made to the system in order to suction clean a particular type of material must obtain the prior written approval of the manufacturer.

The use of the system for purposes other than those for which it was manufactured, represents an irregular condition which can cause damage to the product and seriously compromise the operator's safety.

7 - EQUIPMENT AND ACCESSORIES

The packaging of the vacuum cleaner also includes a series of accessories as detailed below:

- 1) N°1 REVO Job vacuum cleaner
- 2) N°3 rubber sleeves for the connection to the suction piping network
- 3) N°5 hose clamps to fix the sleeves
- 4) N°1 installation, use and maintenance manual
- 5) N°1 silencer
- 6) N°1 Ø 80mm cap



Check that the system, the accessories and the kit correspond to the products ordered and that they have not been evidently damaged during transport.
In case of problems contact your Retailer immediately.

8 - INSTALLATION



**- WARNING -
THESE PROCEDURES MUST BE CARRIED OUT
BY QUALIFIED STAFF**

8.1 Recommended installation

The REVO Job line vacuum cleaner must be connected to an exhaust air pipe, crucial for discharging outside the micropowders that the filter cartridge cannot retain. The vacuum cleaner must be installed in service rooms (e.g. garage, store room etc) protected from bad weather, dampness and excessive temperature variations (Working environment temperature “-5 ÷ 45°C”, relative humidity 20 ÷ 85% without condensation or freezing). Install the unit in a place far from heat sources such as stoves and radiators. (N.B: the unit features IP 20 protection degree).

During the set up phase, we suggest to always carefully check that the unit is positioned in the most suitable location selected for the system. Check also that sufficient space has been left for installation, use and maintenance purposes and for an optimal recirculation of the air around the vacuum cleaner. Construction features allow the vacuum cleaners to be connected to the pipe system with pipes coming either from right or left sides. In case of multistory vacuum cleaning system, we suggest you to install the unit on the lowest available floor.

8.2 Positioning of the vacuum cleaner

For a correct use, to facilitate maintenance and to allow a correct air circulation, it is advisable to keep a minimum distance of 60 cm on the right and left sides and of 30 cm on the back side.

8.3 Fixing the vacuum cleaner

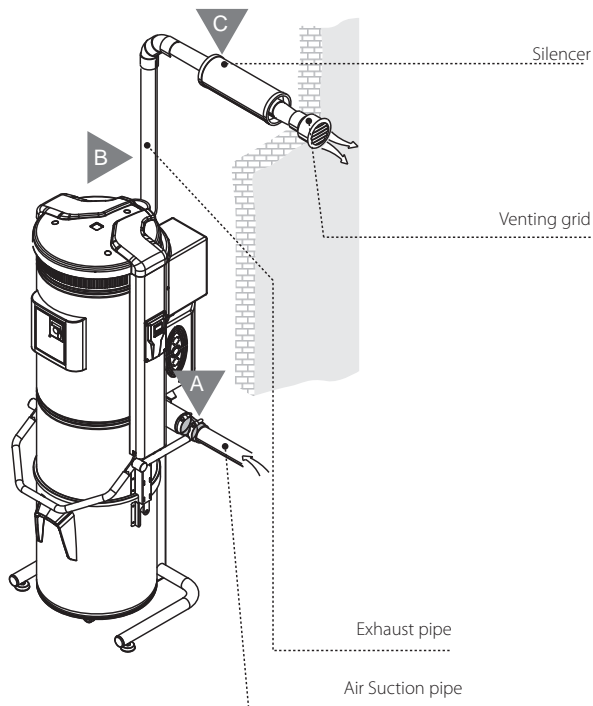
The unit does not need any special fixing device. For a correct and safe positioning, it is however necessary to check that the location selected for installing the unit features the following min. requirements:

- a solid, perfectly flat and horizontal bearing surface;
- the surface must not vibrate. Furthermore it is of utmost importance to avoid any unevenness of the bearing surface that could make the unit unstable.

8.4 Connection to the piping network

The intakes for the connection to the suction pipes network and to the pipes exhausting the air outside can be assembled either on the right or left side of the unit.

- A** Connect the unit to the air suction pipe by using the eccentric extension 80/63, the sleeve and the metal clamps delivered with the vacuum cleaner.
- B** Connect the unit to the exhaust pipe by using the sleeve and the hose clamps delivered with vacuum cleaner.
- C** Assemble a silencer on the exhaust pipe; position the silencer near the exhaust grid.



- N.B.**
- | | |
|---|----------|
| Diameter of exhaust pipes not longer than 6 m: | Ø 63 mm |
| Diameter of exhaust pipes not longer than 6 m a 8 m: | Ø 80 mm |
| Diameter of exhaust pipes not longer than 8 m a 10 m: | Ø 100 mm |

It is recommended to use an exhaust pipe not longer than 10 m, since it could damage the central vacuum cleaner.

8.5 Transforming DX version (outlet pipes fitted on the right) into SX version (outlet pipes fitted on the left)

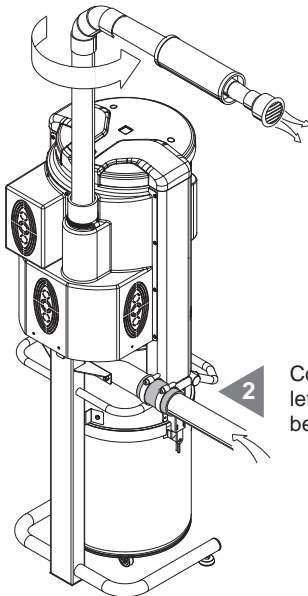
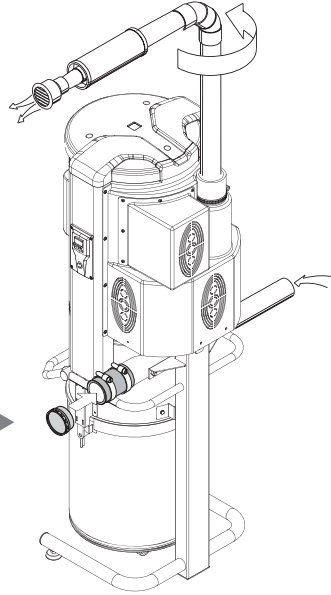
Vacuum cleaners are generally supplied with suction and exhaust pipes on the right side (RIGHT version).

If needed, the system can be transformed so to have both suction and exhaust pipe connections on the left side (LEFT version).

To do this:

Apply the cap on the right inlet of the unit by using the rubber sleeve and the hose clamps.

1



2

Connect the piping network to the left inlet of the unit by using the rubber sleeve and the hose clamps.

9 PUT INTO SERVICE OF THE VACUUM CLEANER

9.1 Workspace

The workspace moves to the various rooms, thanks to the piping network. Therefore, the user doesn't come into contact with the vacuum cleaner while it is working, except for the putting into service operations and those of use of the vacuum cleaner.

9.2 Electric connection (see Appendix A)



WARNING: the electric connection must be carried out ONLY by qualified personnel.

Before connecting the system to the electrical power supply check that the supply voltage corresponds to that required by the vacuum cleaner (see identification plate).

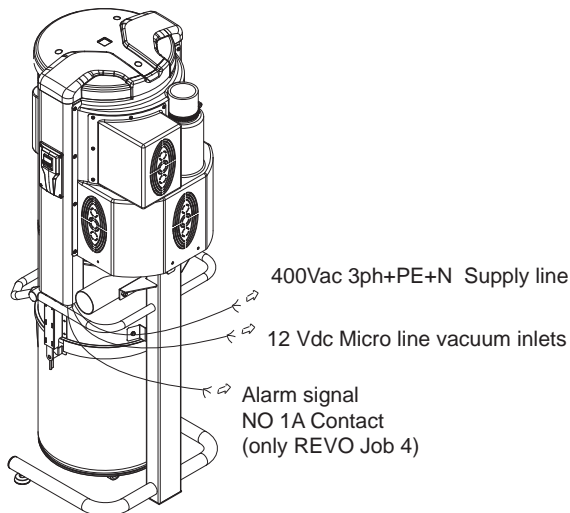
The manufacturer declines any responsibility for damages to persons and/or objects due to a connection to a non-complying electric wiring.

Follow the instructions (see picture) detailed below to carry out the operation:

- **L1 - L2 - L3 - N - PE** : Connect the 400Vac three-phase neutral supply with related ground protection
- **L1 - L2 - L3 - PE** : Connect the 400Vac three-phase neutral supply with related ground protection
- **MICRO** : Connect the electrical wiring of the vacuum inlet for the start up of the vacuum cleaner.
- **ALARM** : General alarm signal activated through a normally open contact of a relay (max 1A)

Do not supply the vacuum unit with tension coming from temporary power panels (for example building sites' power panels) in order to avoid possible damages of electronic parts.

Install an upstream protection through a residual-current device, in case the local or national regulations require it.



9.3 Protection of the power supply and of REVO Job 4 vacuum unit circuits

The REVO Job 4 vacuum cleaner is equipped with a frequency converter (inverter), so it must be connected to the ground according with the regulations current loss over 3,5mA.

In case the local or national regulations require it, install an upstream protection through a type B residual-current device, according with IEC 60755 Standard.

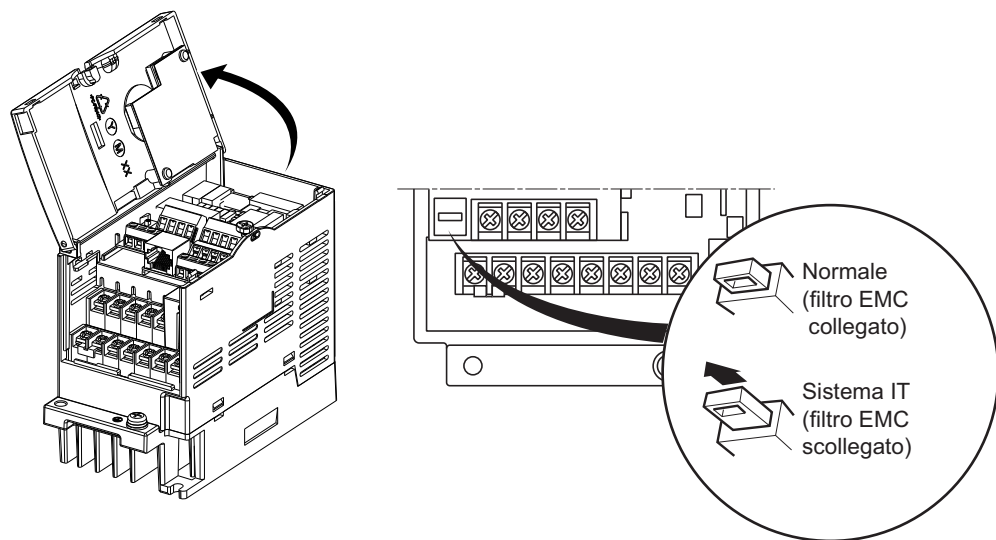
Choose a suitable model that includes:

- High voltage current filtering
- A timer that prevents the release caused by the loading parasitic capacitance during the vacuum cleaner start up.

It is not possible to apply a timer for 30mA devices: in this case, choose a device immune from electrical disturbances.

In case some problems of compatibility with the installation shows up, it is possible to reduce the leakage of current, by opening a little bridge present into the inverter and deactivating the filter. In this case, the EMC conformity (electromagnetic compatibility) is not granted.

Pull out the JP1 little bridge into the frequency converter to the left of the ground terminal, as shown below.



9.4 Testing the correct motor spin direction for the model REVO Job 2.2 and REVO Job 3

For REVO Job 2.2 and REVO Job 3 vacuum cleaners, it is necessary to verify during the first start up if there is already a suction effect into suction nozzle of dusts.

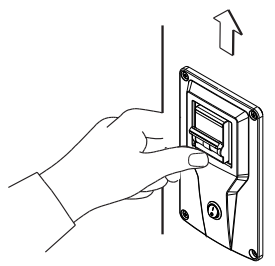
If not, it means that the motor spins in the opposite sense. In order to correct this error, it is necessary to change the position of two supply cable of the vacuum cleaner.

10 HOW TO USE THE VACUUM CLEANER

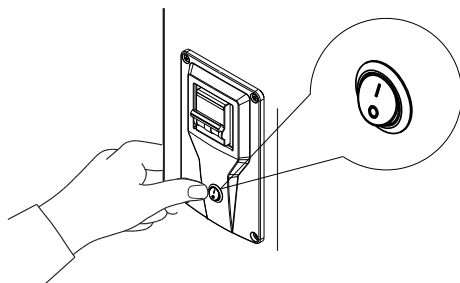
Once the REVO Job vacuum cleaner has been connected to the power supply, it can be started every time a flexible hose is plugged into any of the suction sockets installed in the different rooms. The vacuum cleaning is started thanks to an electric contact assembled directly in the socket which, once activated, allows the start of the suction motor of the vacuum cleaning unit.

To each single suction stop, after about 15 seconds, the vibration cleaning of the filter turns on. In case the suction is required again, the cleaning system of the filter turns off automatically.

10.1 Switching the vacuum cleaner on

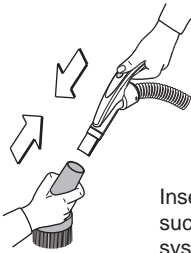


1 Position the main switch assembled on the right side on the appliance on «I-ON» position.



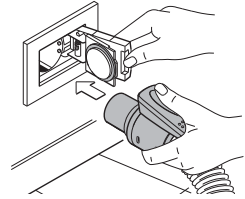
2 Position the main switch assembled on the right side on the appliance on «I-ON» position. The display will switch on to indicate the unit is connected to the power supply.

10.2 Using the vacuum cleaner


1

Fix the cleaning accessory most suitable for the desired task to the grip handle of the flexible hose. Select the accessories according to the required use, to the type of dirt and area to be cleaned, etc.

Insert the other end of the flexible hose in the suction socket on the wall. This will switch the system suction motors on by activating the electric signal in the suction socket.

2


Once you have carried out the cleaning operations, remove the flexible hose from the suction socket by gently accompanying the closing flap until it reaches its housing. If the flap is left to close by itself, it will violently hit the suction socket because the suction system is still working and the vacuum will pull the flap powerfully against the suction frame.

The vacuum cleaner is programmed to take a few seconds before switching off to ensure that the suction action has been completed throughout the pipe network.

11 - MAINTENANCE



BEFORE CARRYING OUT ANY MAINTENANCE INTERVENTION, IT IS MANDATORY TO DISCONNECT THE SUPPLY CABLE FROM THE SOCKET AND WEAR PROTECTIVE GLOVES AND MASK.

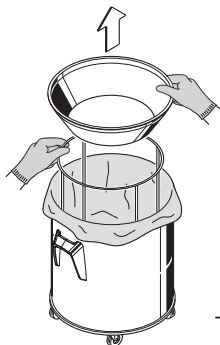
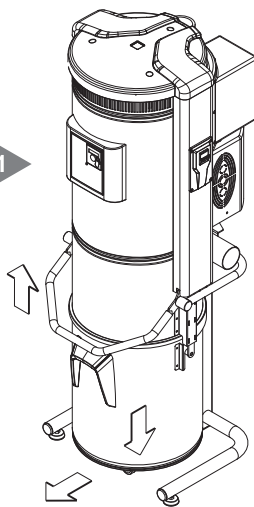
11.1 Programmed routine maintenance

On the basis of the total time of use of the vacuum cleaner, it is necessary to carry out the maintenance interventions in order to keep it always efficient and avoid serious mechanical damages.

Time (hours)	Maintenance	Carried out by
8	Filter cartridge cleaning	Final user
15	Dust bin emptying	Final user
40	Filter cartridge filter	Final user
50	Air discharge blockage check	Technical Support

11.2 Emptying the dust bin

Lift up the release handle using both hands and extract the dust bin **1**



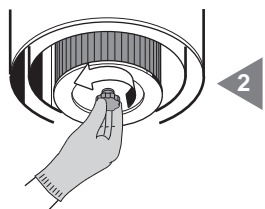
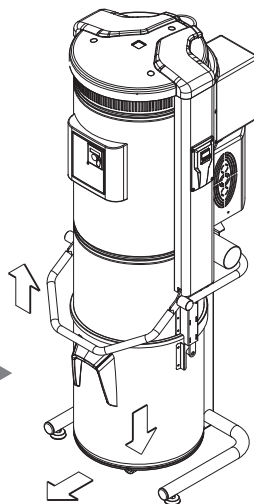
2 Remove the conveyor cone and the bag-stretcher

Tie up the dust bag and remove it from the container **3**



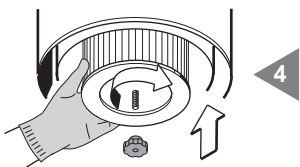
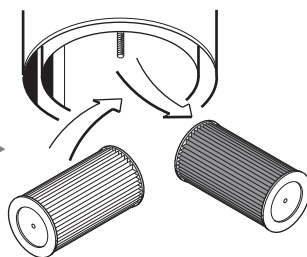
11.3 Replacing the filter cartridge

Lift up the release handle using both hands and extract the dust bin **1**



2 Unscrew the blocking knob

Replace the filter cartridge **3**



4 Screw the blocking knob

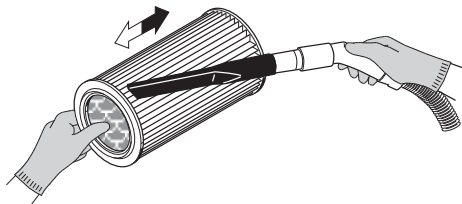
11.4 Regeneration of the filter cartridge



WARNING
DO NOT USE THE VACUUM CLEANER WITHOUT THE FILTER CARTRIDGE. ENSURE YOU HAVE REPLACED A SPARE FILTER CARTRIDGE BEFORE CARRYING OUT THIS OPERATION.

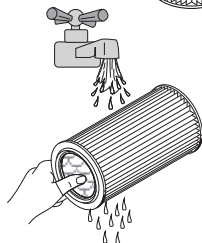
The filter cartridge can be regenerated more times by vacuum cleaning the dirt on the filtering surface; use the vacuum cleaner and the straight nozzle.

1



2

Check the filter surface is not cut. If this is the case, the cartridge should not be used again.



3

The filter cartridge can be washed under running water. **ATTENTION: Ensure the filter cartridge has completely dried before reassembling it.**

11.5 Cleaning of the external body

Periodically clean the outside casing of the vacuum cleaner using a soft damp cloth with water and neutral soap and let it completely dry. Important: only use water or neutral soap and water to clean the vacuum cleaner. The use of other solvents or alcohol can entail damages. Ensure the system surface is completely dry before switching it back on.

11.6 Cleaning the vacuum cleaner body (cylinder)

Periodically clean the outside casing of the vacuum cleaner using a soft damp cloth with water and neutral soap and let it completely dry.

Important: only use water or neutral soap and water to clean the vacuum cleaner. The use of other solvents or alcohol can entail damages. Ensure the system surface is completely dry before switching it back on.

It is recommended to use always an appropriate mask to retain the dusts dispersed in the air and always wear a pair of latex gloves to protect the epidermis of the hands.



12 - REPAIRS AND SPARE PARTS

12.1 Intervention criteria

Any intervention on the vacuum cleaner for repairs and/or maintenance which are not expressly authorized in this manual is absolutely forbidden. Any repair for breakage or malfunctioning must be carried out by qualified Technical Assistance personnel. Any intervention of non-authorized personnel will result in the invalidation of any guarantee of the product and the manufacturer will not be held responsible for any eventual damage to persons and/or objects due to such interventions.

12.2 Recommended spare parts

It is advisable to order in time those spare parts which need to be replaced most often. In order to guarantee the optimal and long working life of the vacuum cleaner it is recommended to use only original SISTEM-AIR spare parts, as detailed below.

DESCRIPTION	SPARE PART CODE	
Filter Cartridge	1610.7	
Dust bag for dust collection in the bin	1614.2	

12.3 Putting the vacuum cleaner out of service (general rules)

Should you decide to put the suction system out of service, this should be done with the utmost attention to everyone's health and environment. You can get information about spaces and/or persons duly authorized for the collection and disposal of this product. The disposal and/or recycling of any part of the system must be carried out in strict compliance with the regulations in force.

13 - SOUND EMISSION

A sound level measurement has been gauged by measuring the acoustic pressure and the sound level of the vacuum cleaner.

The test report is held at TECNOPLUS S.r.l. headquarters.

14 - IDEAL LOCATION OF THE VACUUM CLEANER TO REDUCE SOUND EMISSION

The following suggestions and measures will help reducing the sound emissions of the vacuum cleaner:

- You can use sound-absorbing materials on the two side walls if these are very close to each other; this will interrupt the sound wave and avoid resonance phenomena between the two waves which could reflect on the two opposite walls;
- You can possibly soundproof the ceiling.

15 - VIBRATIONS

There is no contact between the hand, arm or body of the operator and the machine when vacuum cleaning using the flexible hose.

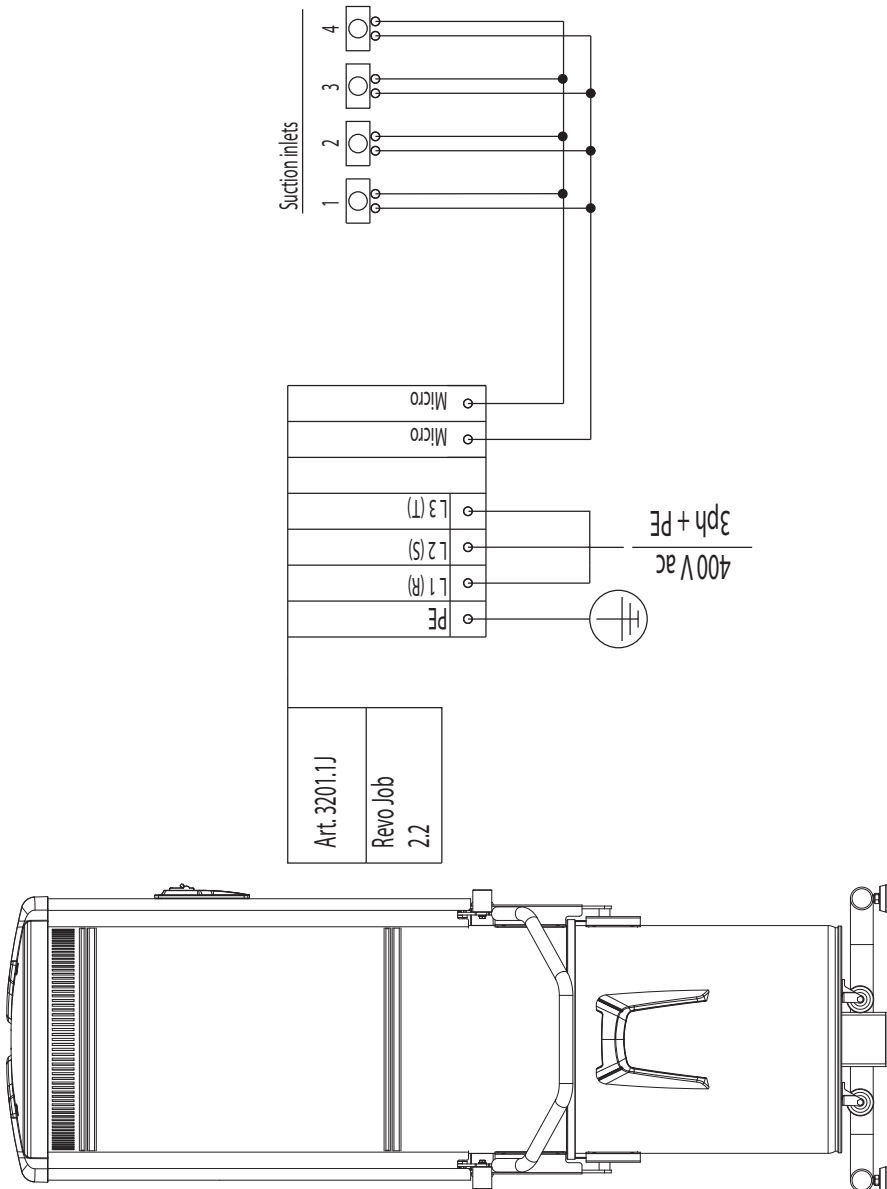
For this reason there is no risk related to vibrations.

16 - TROUBLESHOOTING

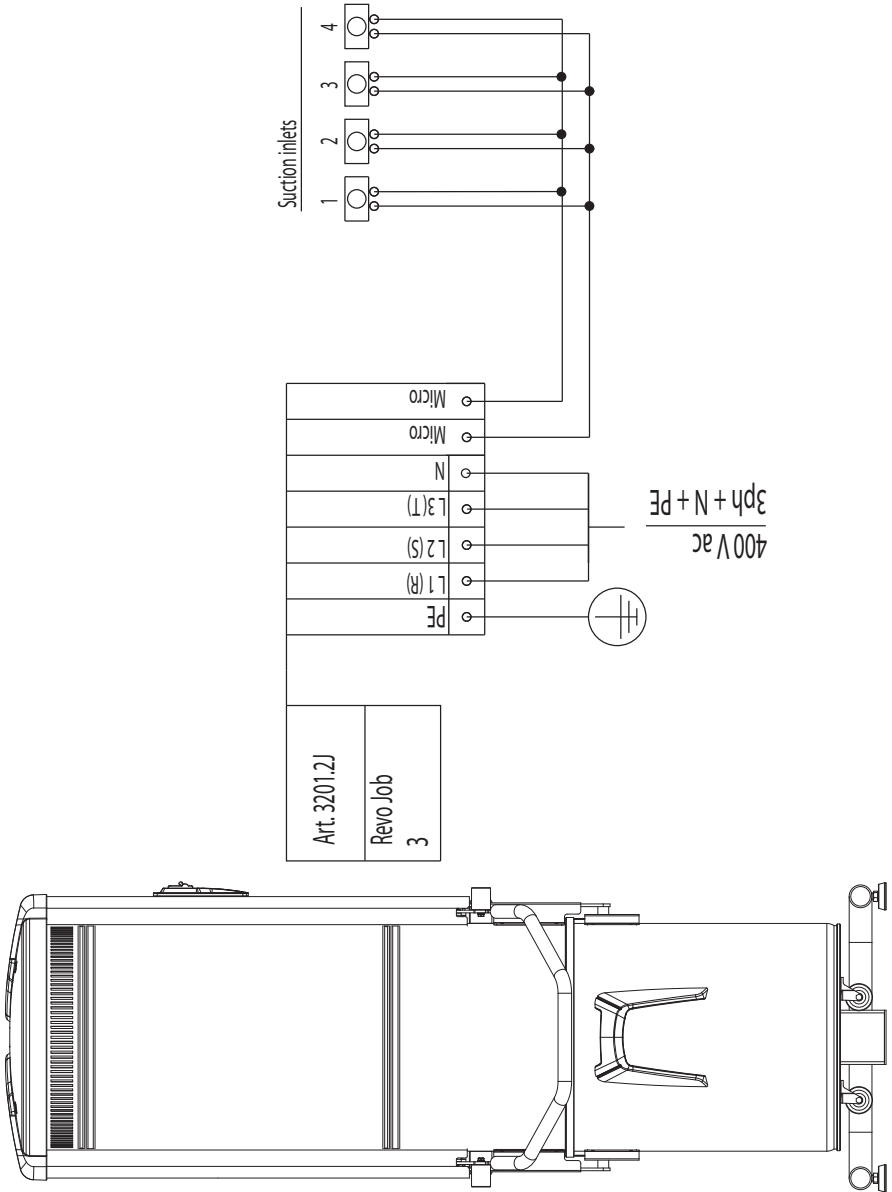
PROBLEM	CAUSE	SOLUTION
There is no suction from any of the suction sockets	Alarm signaled on the frequency converter (inverter) – only in REVO Job 4 model	Call Technical Service
	The power cable is unplugged	Connect the power cable
	The micro line cable is not connected	Connect the activation cable (MICRO)
	Anomaly with the electrical board	Call Technical Service
There is no air suction from just one suction socket	The electric contacts are interrupted or the micro switch of suction socket is out of order	Call Technical Service
The air suction is weak	More than one socket is being used at the same time	Reduce the number of sockets used at the same time
	The flexible hose or the accessories are broken	Check the flexible hose and the accessory are not damaged (replace them if needed)
	The filter cartridge is dirty	Clean the filter cartridge
	The gasket of the dust bin is damaged	Check the integrity
	The piping net is clogged	Call Technical Service
	The air exhaust is clogged	Call Technical Service
	The dust container is full	Empty the dust container

APPENDIX A – ELECTRICAL CONNECTION OF REVO JOB LINE

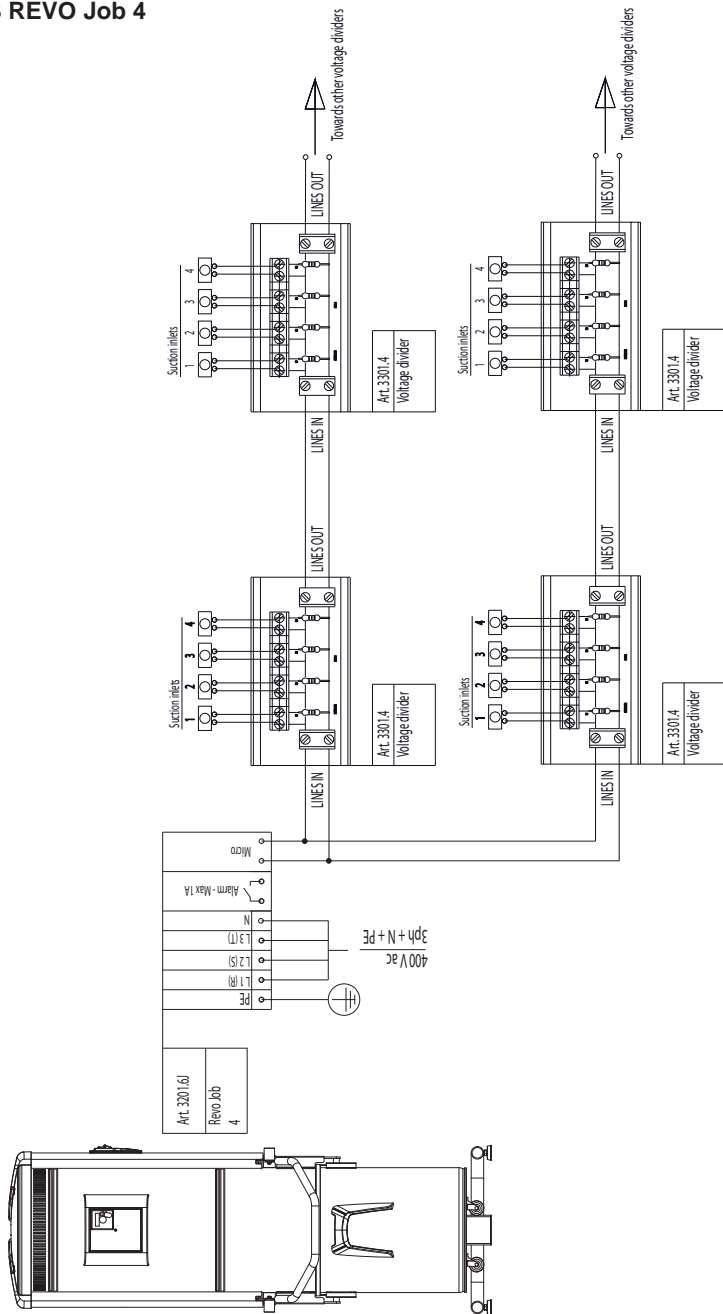
A.1 REVO Job 2.2



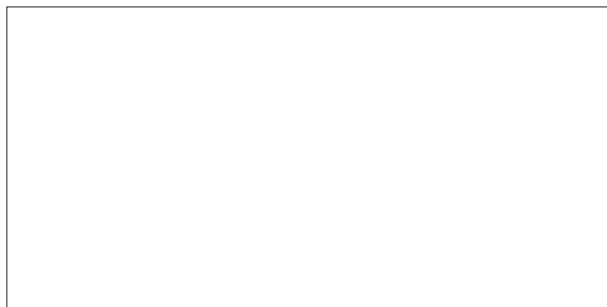
A.2 REVO Job 3



A.3 REVO Job 4



revo Job



F0920286